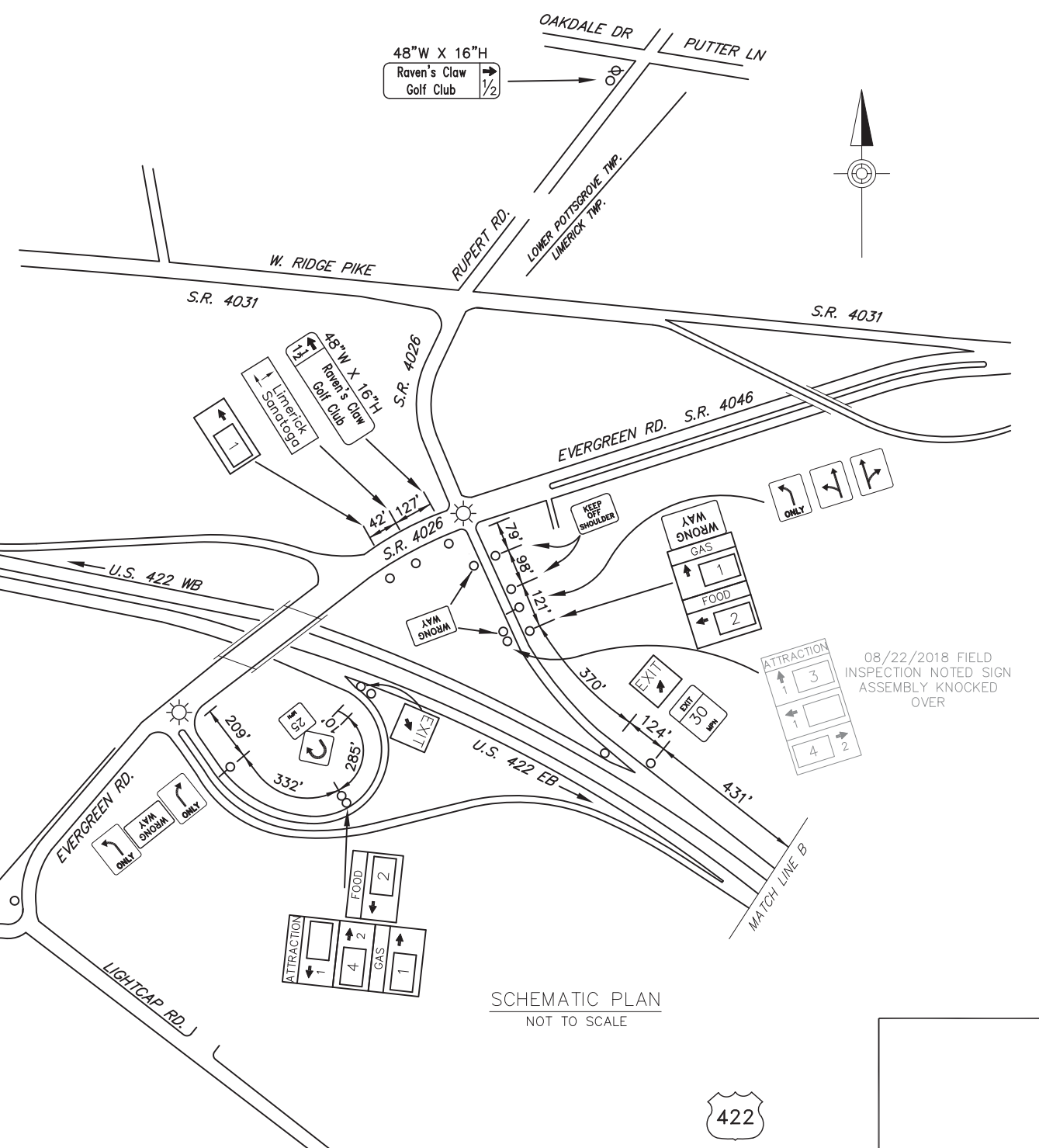
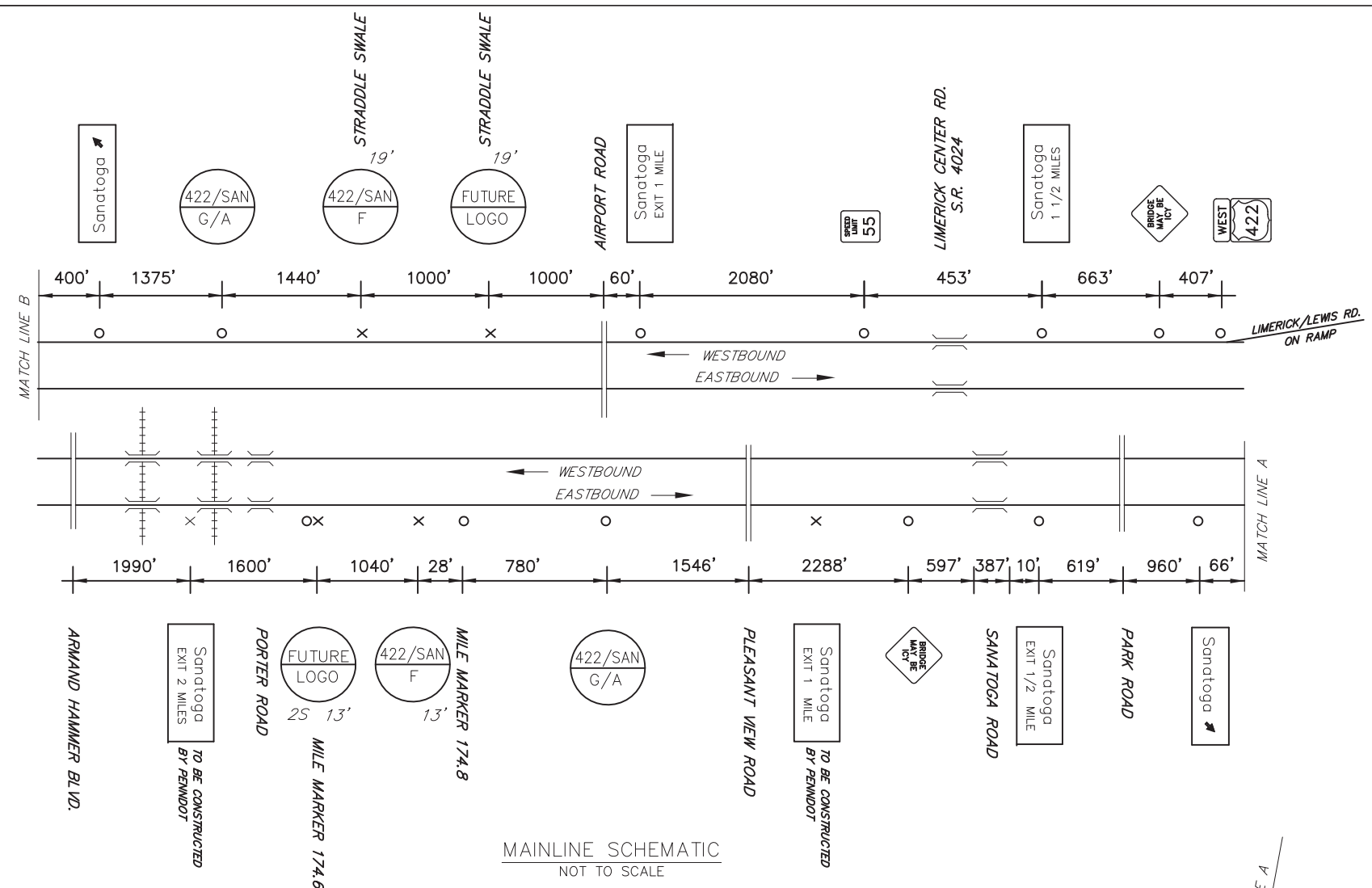


DISTRICT	COUNTY	ROUTE	PROJECT	SHEET
6-0	MONTGOMERY	US-422		
LIMERICK & LOWER POTTS GROVE TOWNSHIPS				
REVISIONS				

ITEM	UNIT	QUANTITY
POST MOUNTED SIGNS, TYPE A, LOGO	SQ.FT.	
POST MOUNTED SIGNS, TYPE B, LOGO	SQ.FT.	
POST MOUNTED SIGNS, TYPE C, LOGO	SQ.FT.	
BREAKAWAY SYSTEMS	EACH	
* STEEL S OR W BEAM POSTS	LBS.	
LOGO SIGN MOUNTING	EACH	
EXTRUDED PANEL REPLACEMENT	SQ.FT.	-
REMOVAL OF POST MOUNTED MOTORIST SERVICE SIGNS, TYPES B, C & F	L.S.	

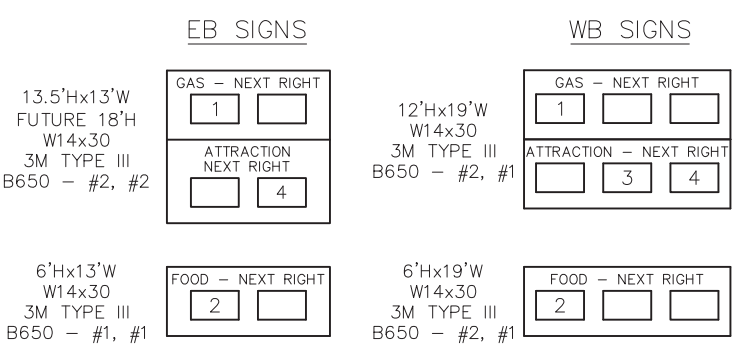
\* APPROXIMATE QUANTITY FOR INFORMATION ONLY

○	Existing Sign to Remain
△	Existing Sign to be Removed
◻	Existing Sign Reset as Shown
●	NEW SIGN
×	FUTURE SIGN
⊗	Existing Utility Pole



NO LANE CLOSURES BETWEEN  
6:00 AM & 9:00 AM AND  
3:00 PM & 6:00 PM  
NO WORK PERMITTED DURING  
HOLIDAY PERIODS.

EXIT SANATOGA		SPECIFIC INFORMATION PANEL	
SIGN NUMBER	LEGEND	BUSINESS	LOGO. NO.
422/S F EB 422/S G WB	FOOD	CHIC-FIL-A (CLOSED SUNDAY)	2
422/S G EB 422/S G WB	GAS	TURKEY HILL	1
422/S A EB 422/S A WB	ATTRACTION	RAVENS CLAW GOLF CLUB	3
		LIMERICK FAMILY ENTERTAINMENT CENTER	4



D:\BASE\DESIGN\PROJECTS\AN\422\USE\AS-BUILD\DRAWINGS\PENNDOT - DISTRICT 06\MONTGOMERY - 4610-00-SHTX\US422\_SANATOGA\_PLAN August 22, 2018 11:47 AM

S.R. 4026 EVERGREEN ROAD  
 SANATOGA