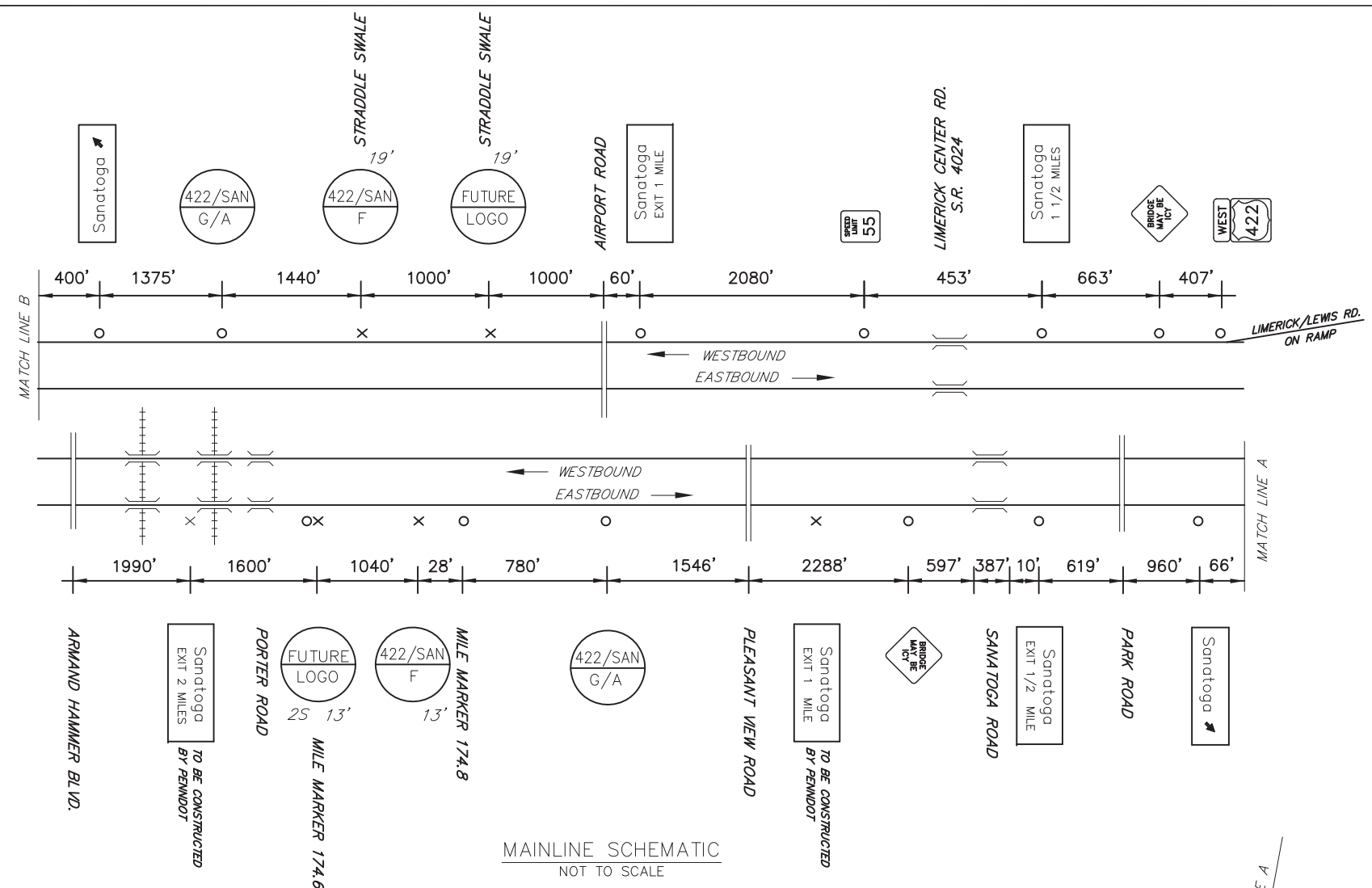


DISTRICT	COUNTY	ROUTE	PROJECT	SHEET
6-0	MONTGOMERY	US-422		
LIMERICK & LOWER POTTS GROVE TOWNSHIPS				
REVISIONS				

ITEM	UNIT	QUANTITY
POST MOUNTED SIGNS, TYPE A, LOGO	SQ.FT.	
POST MOUNTED SIGNS, TYPE B, LOGO	SQ.FT.	
POST MOUNTED SIGNS, TYPE C, LOGO	SQ.FT.	
BREAKAWAY SYSTEMS	EACH	
* STEEL S OR W BEAM POSTS	LBS.	
LOGO SIGN MOUNTING	EACH	
EXTRUDED PANEL REPLACEMENT	SQ.FT.	-
REMOVAL OF POST MOUNTED MOTORIST SERVICE SIGNS, TYPES B, C & F	L.S.	

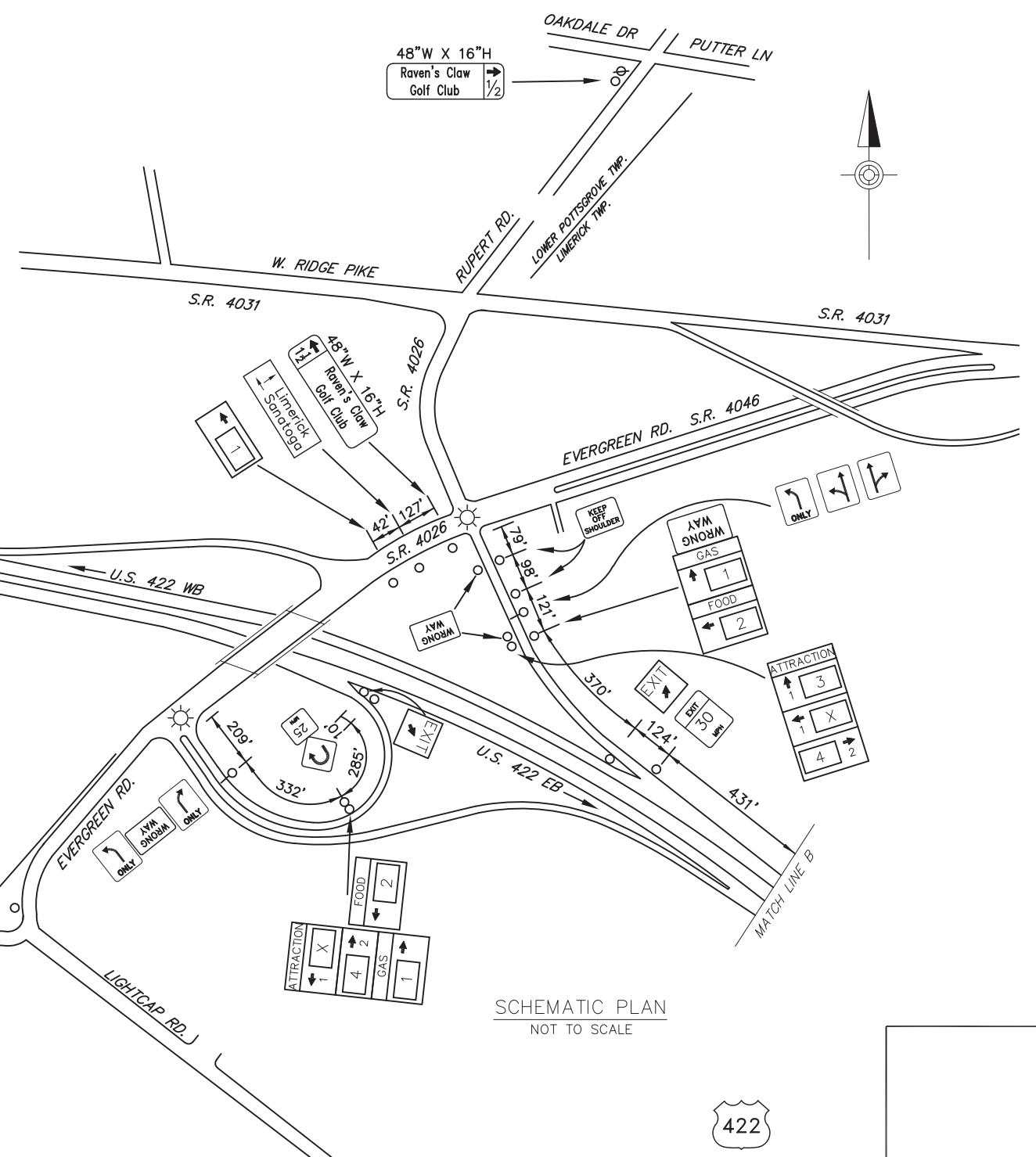
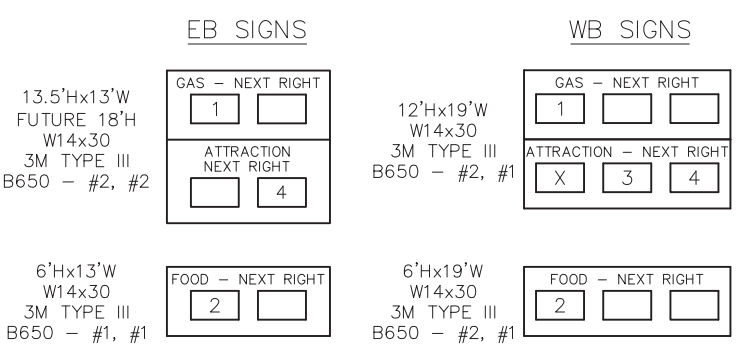
* APPROXIMATE QUANTITY FOR INFORMATION ONLY

○	Existing Sign to Remain
△	Existing Sign to be Removed
◻	Existing Sign Reset as Shown
●	NEW SIGN
×	FUTURE SIGN
⊗	Existing Utility Pole



NO LANE CLOSURES BETWEEN
6:00 AM & 9:00 AM AND
3:00 PM & 6:00 PM
NO WORK PERMITTED DURING
HOLIDAY PERIODS.

LEGEND	DIRECTION	BUSINESS	LOGO NO.
GAS	EB/WB	TURKEY HILL	1
		CHICK-FIL-A (CLOSED SUNDAY)	2
FOOD	EB/WB	LIMERICK FAMILY ENTERTAINMENT CENTER	4
		RAVENS CLAW GOLF CLUB	3
ATTRACTION	WB	LIMERICK FAMILY ENTERTAINMENT CENTER	4
		RAVENS CLAW GOLF CLUB	3




 S.R. 4026 EVERGREEN ROAD
 SANATOGA

I:\PROJECTS\2015\PROJECTS\201507-01\15-05-SANITX-US422-SANATOGA PLAN
 10/2/2015 9:44 AM